

MATERIAL LIST

PRECAST CONCRETE PUMP STATION

NO.	DESCRIPTION	QUANTITY	UNIT
1	6\"/>		

MATERIAL LIST

PRECAST CONCRETE GENERATOR BUILDING

NO.	DESCRIPTION	QUANTITY	UNIT
1	6\"/>		

MATERIAL LIST

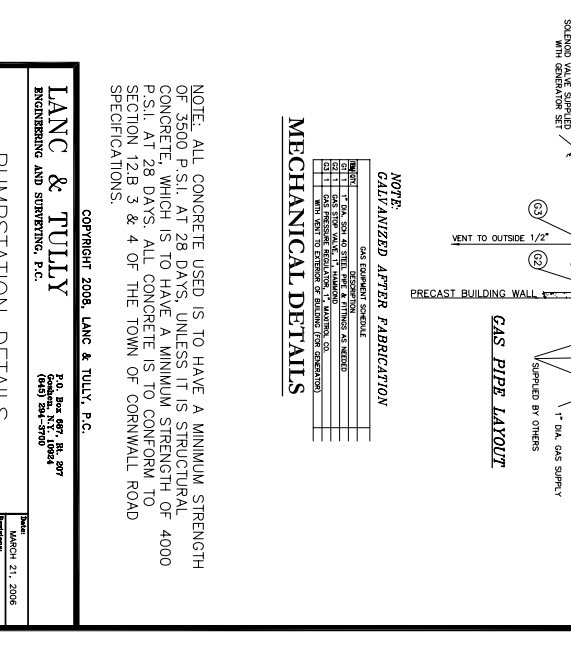
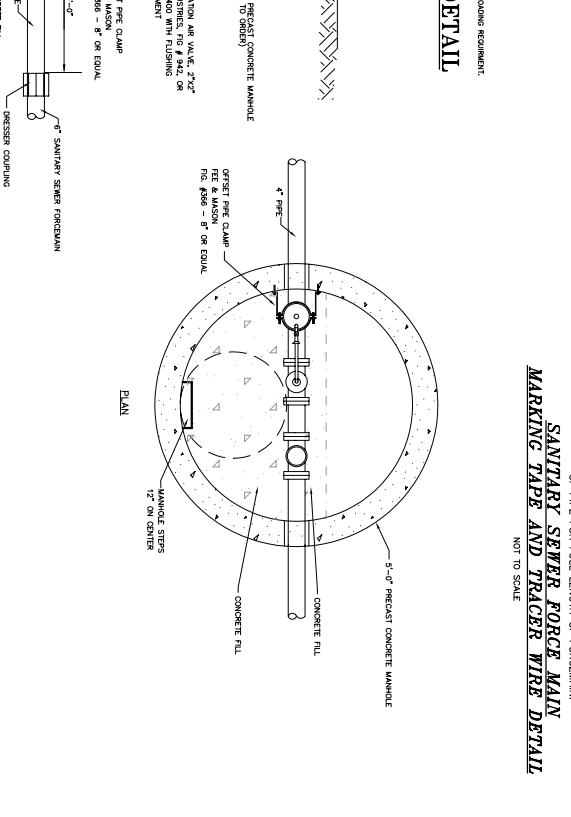
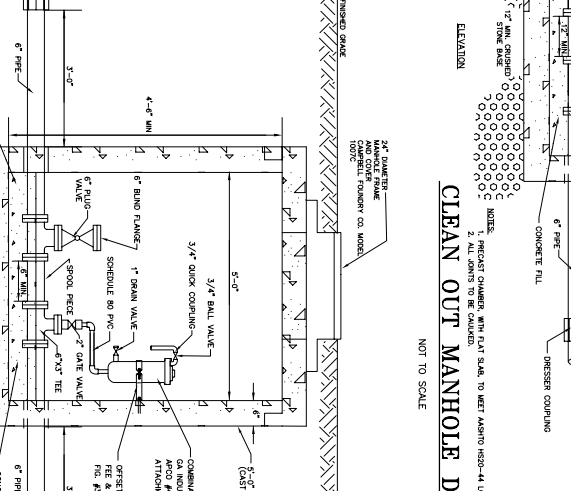
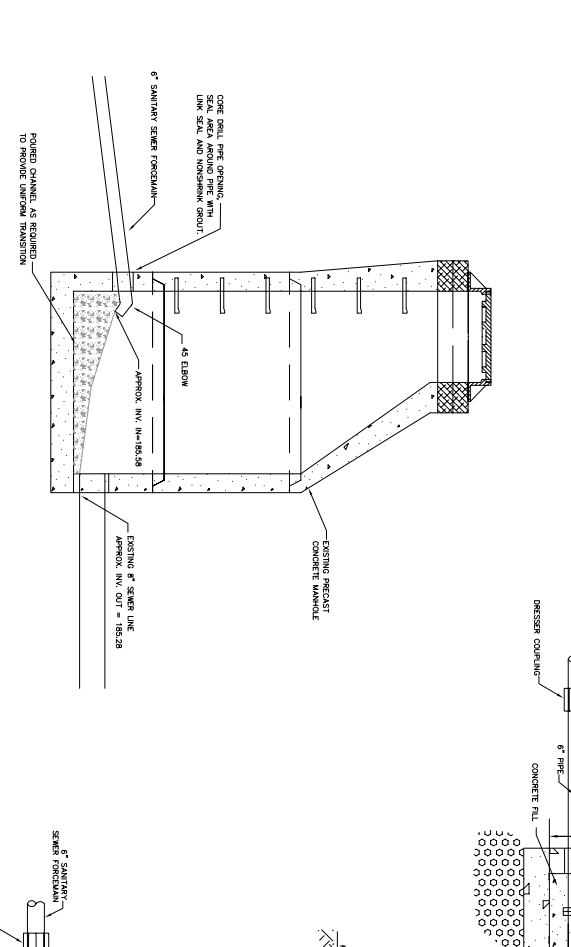
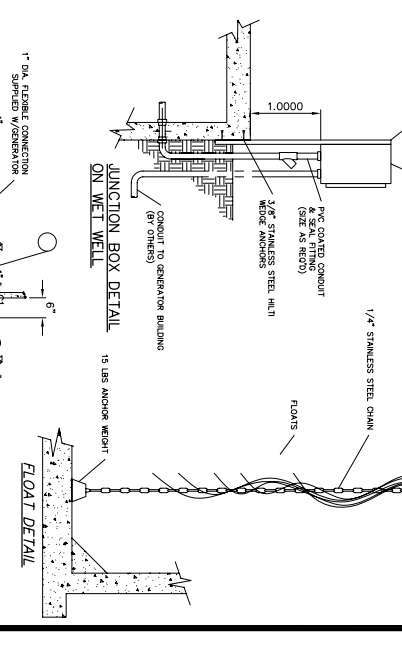
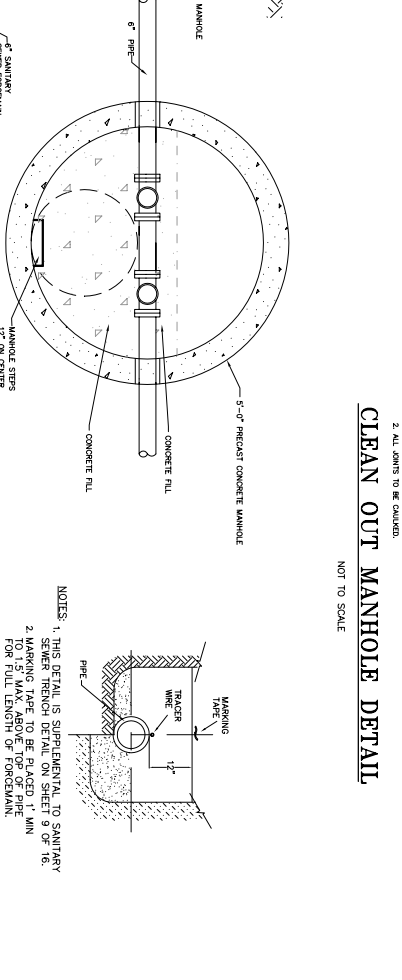
PRECAST CONCRETE CLEAN OUT MANHOLE

NO.	DESCRIPTION	QUANTITY	UNIT
1	6\"/>		

MATERIAL LIST

PRECAST CONCRETE SANITARY SEWER FORCE MAIN

NO.	DESCRIPTION	QUANTITY	UNIT
1	6\"/>		



COPIES FROM THE ORIGINAL OF THIS DOCUMENT NOT MARKED WITH AN ORIGINAL OF THE PROFESSIONAL ENGINEER'S SEAL SHALL NOT BE CONSIDERED VALID COPIES.

UNAUTHORIZED ALTERATION OR ADDITION TO THIS DOCUMENT IS A VIOLATION OF SECTION 7209-2 OF THE NEW YORK STATE EDUCATION LAW.

FORCE MAIN TO EXISTING GRAVITY MANHOLE
NOT TO SCALE

CLEAN OUT MANHOLE DETAIL
NOT TO SCALE

AIR RELEASE/VACUUM RELEASE VALVE CHAMBER
NOT TO SCALE

CLEAN OUT MANHOLE DETAIL
NOT TO SCALE

MARKING TAPE AND TRACER WIRE DETAIL
NOT TO SCALE

PUMPSTATION DETAILS

CORNWALL COMMONS
TOWN OF CORNWALL
ORANGE COUNTY, NEW YORK

LANC & TULLY
ENGINEERING AND SURVEYING, P.C.
P.O. Box 897, Rt. 207
CORNWALL, NY 12418
(845) 384-9700

DATE: MARCH 21, 2006
PROJECT: PUMPSTATION DETAILS
SHEET: 10 OF 16